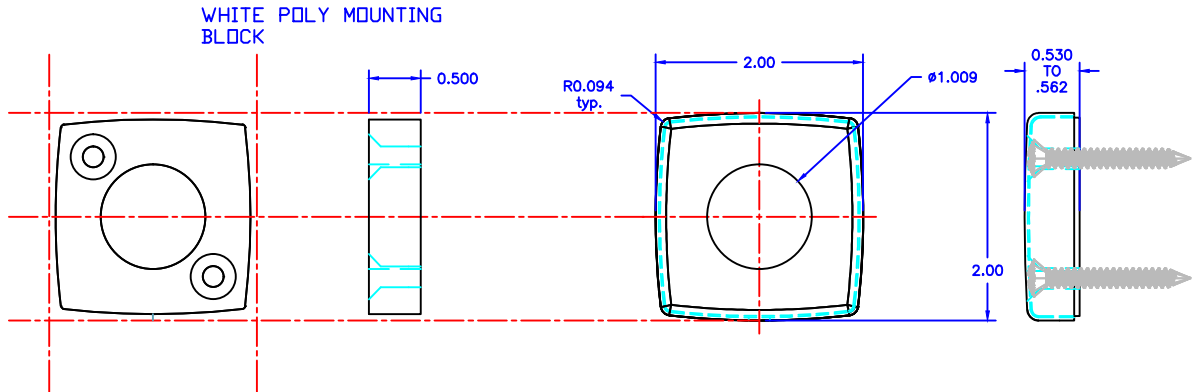




Technical Data

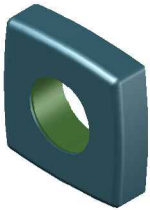
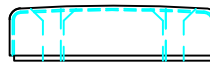
S-4647-XX

CONCEALED MOUNT SQUARE 1"Ø SHOWER ROD FLANGES (PAIR)

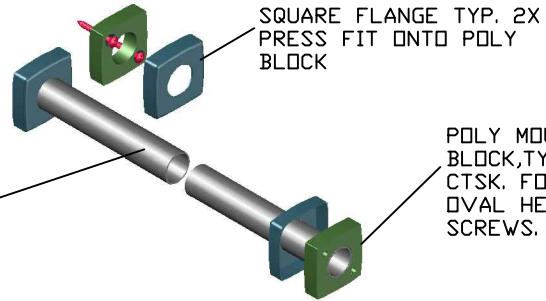


FINISH CODE:

- SS = SATIN STAINLESS
- PC = POWDER COATED (SPECIFY COLOR)



1"Ø SHOWER ROD
NOT INCLUDED IN
THIS PART NUMBER



Construction:

- POLY MOUNTING BLOCK: 1/2" THICK HIGH DENSITY WHITE PLASTIC.
- SQUARE FLANGE: .028 THICK TYPE 304 STAINLESS STEEL.
- MOUNTING SCREWS: #10 X 1 1/2" LONG SMS OVAL PHIL. HEAD STAINLESS STEEL.

Operation:

HOLDS 1"Ø SHOWER ROD.

Installation:

- USE POLY MOUNTING BLOCK TO LOCATE AND MARK DESIRED HEIGHT.
- DRILL MOUNTING HOLES.
- FASTEN POLY BLOCK TO ONE SIDE OF WALL USING SUPPLIED OVAL HEAD SCREW.
- INSTALL BOTH FLANGES ONTO SHOWER ROD.
- INSERT SHOWER ROD AND REPEAT FOR OTHER SIDE.
- FLANGE PRESS FITS ONTO POLY BLOCK.

Guide Specification:

- 1"Ø SQUARE SHOWER ROD FLANGE.
- CONCEALED MOUNTING.
- FINISHES AS INDICATED ABOVE.
- PART NUMBER INCLUDES ONE PAIR.

The manufacturer reserves the right to make changes in design and material without formal notice and without incurring obligation

© Copyright 2011
Brey-Krause Manufacturing

Brey-Krause Manufacturing
1209 West Lehigh Street, Bethlehem, PA 18018
Phone: 610.867.1401 Fax: 610.866.1433
www.breykrause.com